

User's Guide

Rev.A

AT5210

Multi-channel Battery Meter



Apprent Instruments Ltd.

Address: 3 Floor, No. 61, Baolong International,
Changzhou, Jiangsu, China (PRC)

Post Code: 213014

Tel: 0086-0519-88805550

Fax: 0086-0519-86922220

Sales Email: sales@apprent.com

Tech Email: tech@apprent.com

<http://www.apprent.com>

CERTIFICATION, LIMITED WARRANTY, & LIMITATION OF LIABILITY

Applent Instruments, Ltd. (shortened form **Applent**) certifies that this product met its published specifications at the time of shipment from the factory. Applent further certifies that its calibration measurements are traceable to the People's Republic of China National Institute of Standards and Technology, to the extent allowed by the Institution's calibration facility or by the calibration facilities of other International Standards Organization members.

This Applent instrument product is warranted against defects in material and workmanship for a period corresponding to the individual warranty periods of its component products. **The warranty period is 1 year and begins on the date of shipment.** During the warranty period, Applent will, at its option, either repair or replace products that prove to be defective. This warranty extends only to the original buyer or end-user customer of a Applent authorized reseller, and does not apply to fuses, disposable batteries or to any product which, in Applent's opinion, has been misused, altered, neglected or damaged by accident or abnormal conditions of operation or handling.

For warranty service or repair, this product must be returned to a service facility designated by Applent. The buyer shall prepay shipping charges to Applent and Applent shall pay shipping charges to return the product to the Buyer. However, the Buyer shall pay all shipping charges, duties, and taxes for products returned to Applent from another country.

Applent warrants that its software and firmware designated by Applent for use with an instrument will execute its programming instruction when properly installed on that instrument. Applent does not warrant that the operation of the instrument, or software, or firmware, will be uninterrupted or error free.

The foregoing warranty shall not apply to defects resulting from improper or inadequate maintenance by the Buyer, Buyer-supplied software or interfacing, unauthorized modification or misuse, operation outside the environmental specifications for the product, or improper site preparation or maintenance.

THIS WARRANTY IS BUYER'S SOLE AND EXCLUSIVE REMEDY AND IS IN LIEU OF ALL OTHER WARRANTIES, EXPRESS OR IMPLIED, INCLUDING BUT NOT LIMITED TO ANY IMPLIED WARRANTY OF MERCHANTABILITY OR FITNESS FOR A PARTICULAR PURPOSE. APPLMENT SHALL NOT BE LIABLE FOR ANY SPECIAL, INDIRECT, INCIDENTAL OR CONSEQUENTIAL DAMAGES OR LOSSES, INCLUDING LOSS OF DATA, WHETHER ARISING FROM BREACH OF WARRANTY OR BASED ON CONTRACT, TORT, RELIANCE OR ANY OTHER THEORY.

Applent Instruments, Ltd.
Changzhou,
Jiangsu,
China,
Rev. A3

Contents

CERTIFICATION, LIMITED WARRANTY, & LIMITATION OF LIABILITY	2
Contents	3
Figure Contents	5
Table Contents	5
1. Unpacking and Preparation	7
1.1 Incoming Inspection	7
1.2 Power requirements and setting up Fuse.....	7
1.3 Environmental Requirements.....	8
1.4 Cleaning.....	8
1.5 How to Remove the Handle	8
2. Overview.....	10
2.1 Introduction	10
2.2 Main Functions.....	10
2.2.1 Range.....	10
2.2.2 Measuring Speed.....	10
2.2.3 Trigger Mode	11
2.2.4 Basic Accuracy	11
2.2.5 Correction	11
2.2.6 Comparator Function (Sorting Function)	11
2.2.7 System Setup	11
2.2.8 Interface.....	11
3. Startup.....	12
3.1 Front Panel.....	12
3.1.1 Front Panel Description.....	12
3.1.2 Rear Panel.....	12
3.2 Power ON/OFF	13
3.2.1 Power ON	13
3.3 Connect to Device under Test (DUT).....	13
4. [Meas] Page.....	15
4.1 <MEAS DISPLAY> Page	15
4.1.1 【Trigger】 Mode	15
4.1.2 【Channel】 Setup.....	16
5. [Setup] Page.....	17
5.1 Measurement Setup.....	17
5.1.1 【Trigger】 Mode	17
5.1.2 【Range】	18
5.1.3 Measuring 【Speed】	19
5.1.4 【Scan】 Mode.....	19
5.2 Short-circuit Clear Zero.....	19
5.3 Comparator Setup	20
5.3.1 【Comp】 switch.....	21
5.3.2 Compare 【Mode】	21
5.3.3 Signal 【Output】	21
5.3.4 【Lower limit】 and 【Upper limit】 setup.....	22
6. <SYSTEM CONFIG> Page	23

6.1	<SYSTEM CONFIG> Page.....	23
6.1.1	【LANGUAGE】	23
6.1.2	[DATE], [TIME]	24
6.1.3	【KEY BEEP】 Setting	24
6.1.4	【BAUD】 Rate Setup	24
6.1.5	RS-232 Shake Hand [SHAKE HAND].....	25
6.2	<SYSTEM INFORMATION>	25
7.	PLC (Handler) Interface	27
7.1	Pin Assignment	27
7.2	Connection	28
8.	Remote Control	30
8.1	RS-232C	30
8.1.1	RS232C Connection	30
8.2	Handshake Protocol	31
8.3	SCPI Language	31
9.	SCPI Command Reference.....	32
9.1	Terminator.....	32
9.1.1	Terminator Rules.....	32
9.1.2	Notation Conventions and Definitions.....	32
9.1.3	Command Structure	33
9.2	Header and Parameters	33
9.2.1	Header	33
9.2.2	Parameter	33
9.2.3	Separator	34
9.3	Command Reference	34
9.4	DISPlay SUBSYSTEM.....	35
9.4.1	DISPlay:PAGE.....	35
9.4.2	DISP:LINE.....	35
9.5	FUNCTion SUBSYSTEM	35
9.5.1	FUNCTion:RANGe	35
9.5.2	FUNCTion:RATE	36
9.5.3	FUNCTion:SCAN	36
9.6	COMParator SUBSYSTEM	36
9.6.1	COMParator[:STATe].....	36
9.6.2	COMParator:MODE.....	36
9.6.3	COMParator:OUTPut	37
9.6.4	COMParator:RBIN.....	37
9.6.5	COMParator:VBIN.....	37
9.7	TRIGger SUBSYSTEM.....	37
9.7.1	TRIGger[:IMMediate].....	37
9.7.2	TRIGger:SOURce	38
9.7.3	TRG	38
9.8	FETCh? SUBSYSTEM.....	38
9.9	SYSTem SUBSYSTEM	38
9.9.1	SYSTem:LANGuage	38
9.9.2	SYSTem:SENDmode	39

9.9.3	SYSTem:DATAmode.....	39
9.10	CORRect SUBSYSTEM	39
9.10.1	CORRect:SHORT.....	39
9.11	IDN? SUBSYSTEM.....	39
10.	Specifications.....	40
10.1	Technical Specifications	40
10.2	General Specifications	40
10.3	Dimensions.....	41

Figure Contents

Figure 3-1	Front panel.....	12
Figure 3-2	Rear panel	12
Figure 3-3	Test terminal for each channel.....	13
Figure 4-1	AT5210 <MEAS DISPLAY> page	15
Figure 5-1	<Setup> page	17
Figure 5-2	Correct method of short-circuit clear zero.....	19
Figure 5-3	<Comp Setup> Page	20
Figure 6-1	<SYSTEM CONFIG> page.....	23
Figure 6-2	<SYSTEM INFORMATION> page.....	25
Figure 7-1	Pin assignment.....	27
Figure 7-2	Input terminal schematic diagram (Trig)	29
Figure 7-3	Output terminal schematic diagram	29
Figure 8-1	Connector at rear panel	30
Figure 9-1	Command Tree Example	33
Figure 9-2	DISPlay SUBSYSTEM tree.....	35
Figure 9-3	FUNCTion SUBSYSTEM tree.....	35
Figure 9-4	COMParator SUBSYSTEM tree	36
Figure 9-5	TRIGger SUBSYSTEM tree.....	37
Figure 9-6	FETCh? SUBSYSTEM tree.....	38
Figure 9-7	SYSTem SUBSYSTEM tree	38
Figure 9-8	CORRect SUBSYSTEM tree	39
Figure 9-9	IDN? SUBSYSTEM tree	39

Table Contents

Table 3-1	Front panel description	12
Table 5-1	Range.....	18
Table 7-1	Input terminal pin definition	27
Table 7-2	Input terminal pin definition	28
Table 7-3	VCC pin definition	28
Table 8-1	RS-232 Standard minimum subset.....	30
Table 9-1	Multiplier Mnemonics.....	34

1. Unpacking and Preparation

This chapter describes how to set up and start the AT5210.

- Incoming Inspection
 - Power Requirements
 - Setting up the Fuse
 - How to Remove the Handle
 - Environmental Requirements
 - Cleaning
-

1.1 Incoming Inspection

After you receive the instrument, carry it out and check during unpacking according to the following procedures.



WARNING

If the external face of the instrument (such as the cover, front/rear panel, LCD screen, power switch, and port connectors) appears to have been damaged during transport, do not turn on the power switch. Otherwise, you may get an electrical shock.

Make sure that the packing box or shock-absorbing material used to package the instrument has not been damaged.

Referring to <Packing List> in the packing box, check that all packaged items supplied with the meter have been provided as per the specified options.

NOTE

If an abnormality is detected, contact the company and transport the meter to your nearest Applent Instruments sales or service office. For inspection by the transport company, save the packing box, shock-absorbing material, and packaged items as you received them.

1.2 Power requirements and setting up Fuse

~Line: 220VAC, 50Hz/60Hz

Fuse: 250V 1A Slow Blow

Please use the following fuse type.

UL/CSA type, Slow-Blow, 5×20-mm miniature fuse, 1A, 250 V



When you need a fuse, contact your nearest Applent Instruments sales or service office. To verify and replace the fuse, remove the power cable and pull out the fuse holder.

1.3 Environmental Requirements

Set up the AT5210 where the following environmental requirements are satisfied.

Operating Environments

Ensure that the operating environment meets the following requirements.

Temperature: 0°C to 55°C

Temperature range at calibration: 23°C±5°C (<1°C deviation from the temperature when performing calibration)

Humidity: 15% to 85% at wet bulb temperature ≤ 40°C (non-condensation) Altitude: 0 to 2,000m

Vibration: Max. 0.5 G, 5 Hz to 500 Hz

1.4 Cleaning

To prevent electrical shock, disconnect the AT5210 power cable from the receptacle before cleaning.

Use a dry cloth or a cloth slightly dipped in water to clean the casing.

Do not attempt to clean the AT5210 internally.

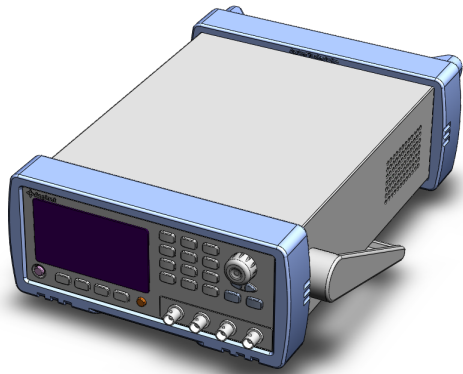


WARNING: Don't Use Organic Solvents (such as alcohol or gasoline) to clean the Instrument.

1.5 How to Remove the Handle

A handle kit is attached to the AT5210:

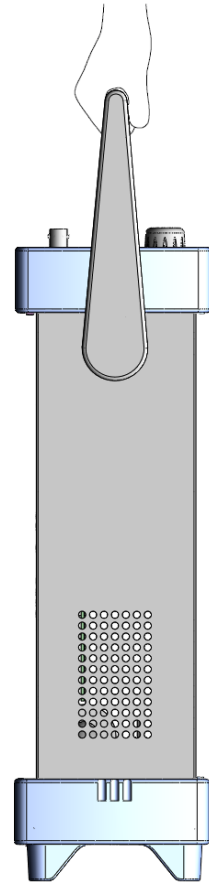
Figure 1-1 How to remove the handle



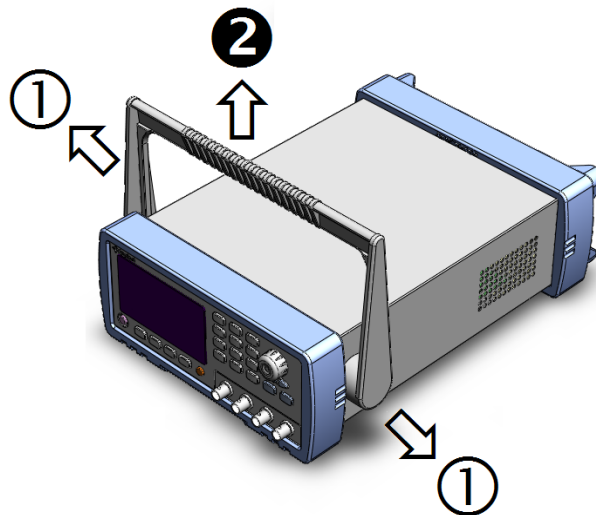
1 Retracted



2 Extended



3 Carrying Position



Remove Handle (Lift the handle perpendicular to the unit while pulling it in the direction of 1.)

2. Overview

This chapter contains general information about AT5210 .The information is organized as follows

- Introduction
 - Main Functions
-

2.1 Introduction

Thank you for purchasing AT5210 Multi-channel Battery Meter.

AT5210 adopts high-performance 32dgt ARM micro processor to control, 3.5 inches true-color LCD Chinese and English display and it is easy to operate. It can quickly complete 10 channels battery voltage and internal resistance sorting. Resistance range: 0.01mΩ~3kΩ, DC voltage range: 0.0001V~60.000V, resistance MAX display: 33000, voltage MAX display: 60000

AT5210 can mixed measure 10 channels of different batteries, each channel can independently set up comparator, and comparing results of 10 channels resistance and voltage can be output by Handler interface.

AT5210 is equipped with RS232 interface and Handler interface to apply to remote control, data acquisition and analysis.

SCPI (Standard Command for Programmable Instrument) to efficiently realize remote control and data acquisition function.

Reference:



For complete technical details, please refer to chapter "Specifications"

2.2 Main Functions

2.2.1 Range

Resistance : 5 ranges , AC resistance range: 0.01mΩ~3kΩ

Voltage : DC voltage range: 0.0001V~60.000V

Manual Range

2.2.2 Measuring Speed

3 types of measuring speed : Slow、Medium、Fast

All channels are turned on, Manual Range:

Slow : 4.5s/10 channels

Medium : 3s/10 channels

Fast : 2s/10 channels

2.2.3 Trigger Mode

Internal, External, Manual and Remote

2.2.4 Basic Accuracy

Slow, Medium : 0.5%

Fast : 1%

2.2.5 Correction

Short-circuit Clear Zero correction for all ranges.

2.2.6 Comparator Function (Sorting Function)

Each channel can independently set up comparator.

Resistance GD signal or voltage GD signal output independently.

Configurable output signal: ROK/VOK/R+VOK.

2.2.7 System Setup

1. Keypad lock function
2. Administrator Accountant Settings

2.2.8 Interface

RS-232 remote control :

Support MAX baud rate 115200bps , compatible with SCPI protocol , ASCII transmission.

Handler interface

Full opto-isolator, built-in input and output of pull-up resistor.

Support 5V internal and 24V external power source.

Input : Trigger signal

Output : Signals for all sorting results; measurement synchronizing signal (EOC) .

3.Startup

This chapter describes names and functions of the front panel, rear panel, and screen display and provides the basic procedures for operating AT5210.

- Front panel summary
- Rear panel summary
- Power On/Off
- Connect to Device under Test

3.1 Front Panel

3.1.1 Front Panel Description

Figure 3-1 Front panel

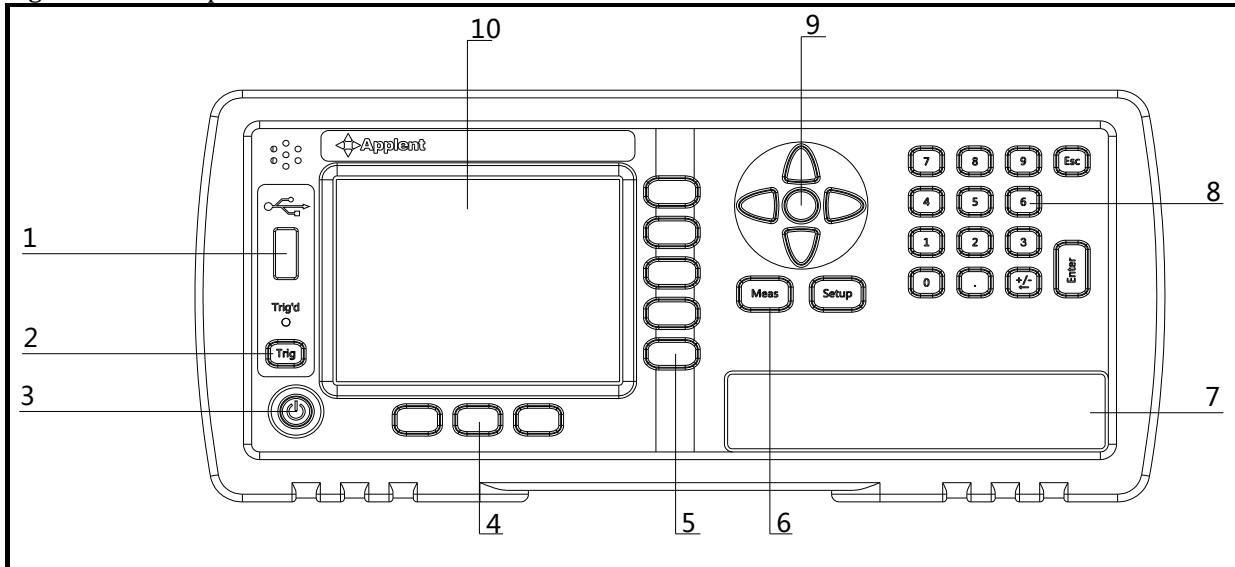
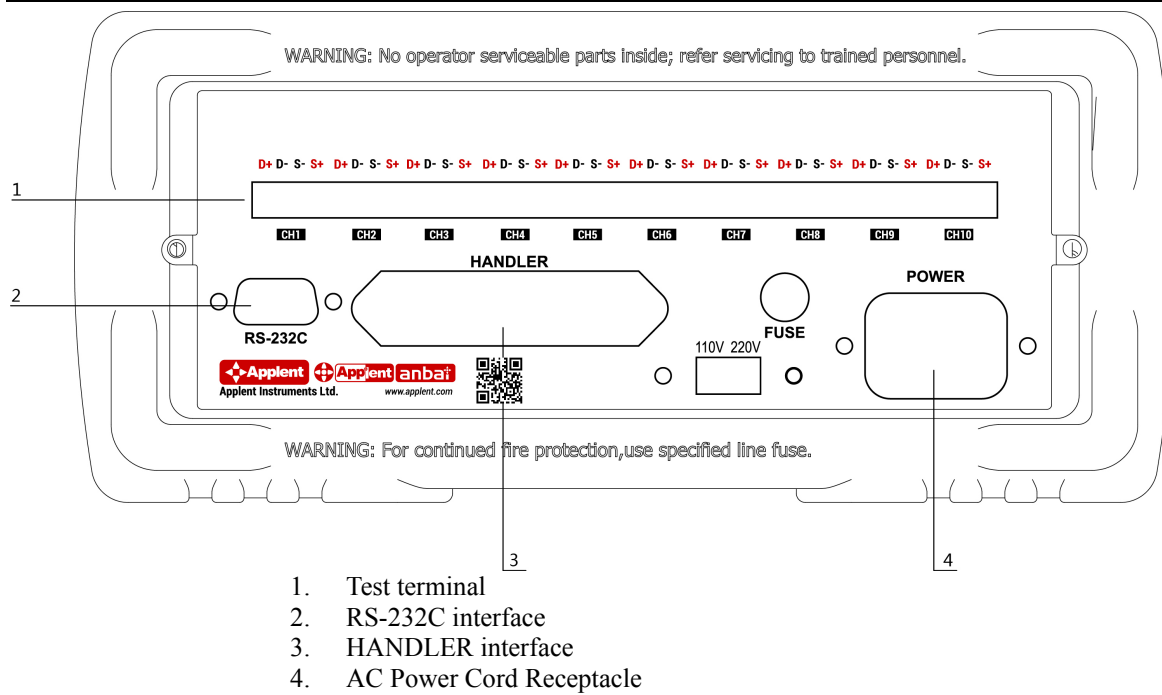


Table 3-1 Front panel description

No.	Description
1	USB Disk Port (USB-Host)
2	Trigger Key
3	Power Switch
4	System Key (Include File, System and Key Lock)
5	Soft Key
6	Menu key
7	Invalid Terminal (Test terminal for all channels is at rear panel)
8	Entry Key
9	Cursor Key
10	LCD Display

3.1.2 Rear Panel

Figure 3-2 Rear panel



3.2 Power ON/OFF

3.2.1 Power ON



AT5210 is ready to be used as soon as the power-up sequence has completed. However, to achieve the accuracy rating, warm up the instrument for 30 minutes.

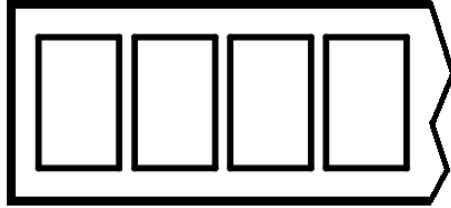
3.3 Connect to Device under Test (DUT)

Instrument's test terminal is at rear panel, please go with rabbit direction and insert test socket to test port correctly.

Definition of test terminal pin for each channel is as below:

Figure 3-3 Test terminal for each channel

D+ D- S- S+



CH1



Warning : NO measuring batteries with more than 60VDC, otherwise, it will cause damage to the instrument.

4. [Meas] Page

4.1 <MEAS DISPLAY> Page

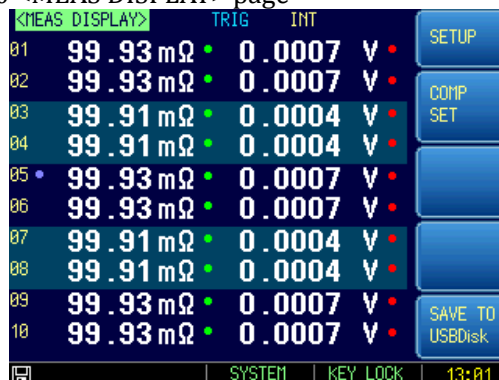
Press [Meas] key to enter <MEAS DISPLAY> Page.

<MEAS DISPLAY> page highlights displaying measuring results, display current sorting results in small characters.

This page can set up 6 common used functions, including:

- Trigger – trigger setup
- 01-10 – channel setup

Figure 4-1 AT5210 <MEAS DISPLAY> page



4.1.1 [Trigger] Mode

SCPI command : TRIGger:SOURce {INT,MAN,EXT,BUS}

4 trigger modes are available for AT5210 :

INT (internal), EXT (external), MAN (manual) and BUS (RS-232)

Trigger Mode	Description
INT	Continuously repeats the measurement cycle.
MAN	Performs one cycle of measurement each time you press the [Trig] key.
EXT	Performs one cycle of measurement each time a rising pulse is input to the handler external trigger input pin on the rear panel.
BUS	Performs one cycle of measurement each time it receives a trigger command sent via RS-232.

Procedure to set up trigger:

Step 1	Press [Meas] key to enter <MEAS DISPLAY> Page	
Step 2	Use cursor keys to select [TRIGGER] field	
Step 3	Use function keys to select trigger mode	
	Function keys	Function
	INT	Automatic Internal trigger
	MAN	Manual Trigger by pressing [Trig] key
	EXT	External Trigger Mode

BUS

BUS Trigger by RS232 SCPI command

4.1.2 【Channel】 Setup

SCPI command : FUNCtion:SCAN {ON,OFF,<CH NO.>}

Each channel can be turned on/off or single channel test.

Procedure to set up channel working mode :

- Step 1** Press [Meas] key to enter <MEAS DISPLAY>Page ;
- Step 2** Use cursor keys to select 【01】 ~ 【10】 field;
- Step 3** Use function keys to select channel working mode

Channel setup	Description
OFF	Current channel is turned off, this channel is ignored when measuring
ON	Current channel is allowed to measure
SCAN	Scan measurement mode
SINGLE	Only measure current channel

5. [Setup] Page

This chapter describes: :

- Measurement setup
- Temperature Compensation Setup
- Short-circuit Clear Zero
- Comparator Setup

Press [Setup] key to enter <SETUP> page.

5.1 Measurement Setup

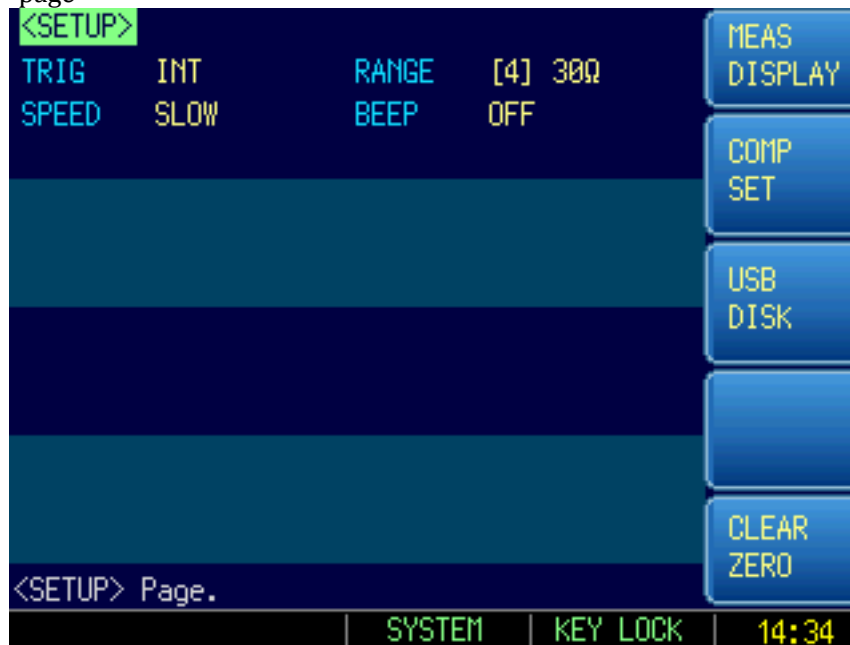
All setting related to measurement is operated in [Setup] page.

In <Setup> page, the Instrument does not display measurement result or comparator result, but testing is still in progress.

The <SETUP> page includes following setup :

- Trigger – trigger mode
- Range – measuring range
- speed – measuring speed
- Scan – scan method

Figure 5-1 <Setup> page



5.1.1 [Trigger] Mode

SCPI command : TRIGger:SOURce {INT,MAN,EXT,BUS}

4 trigger modes are available for AT5210 :

INT (internal), EXT (external), MAN (manual) and BUS (RS-232)

Trigger Mode	Description
INT	Continuously repeats the measurement cycle.
MAN	Performs one cycle of measurement each time you press the [Trig] key.
EXT	Performs one cycle of measurement each time a rising pulse is input to the handler external trigger input pin on the rear panel.
BUS	Performs one cycle of measurement each time it receives a trigger command sent via RS-232.

Procedure to set up trigger:

Step 1	Press [Meas] key to enter <MEAS DISPLAY>Page	
Step 2	Use cursor keys to select [TRIGGER] field	
Step 3	Use function keys to select trigger mode	
	Function keys	Function
	INT	Automatic Internal trigger
	MAN	Manual Trigger by pressing [Trig] key
	EXT	External Trigger Mode
	BUS	BUS Trigger by RS232 SCPI command

5.1.2 【Range】

SCPI command :

FUNCTION:RANGe {<Range NO.>,min,max}

5 ranges are available for AT5210, changes for each range is as below:

AT5210 only use manual range to make measurement:

Table 5-1 Range

Range NO.	Range	Range Ability	UP	DOWN
1	100mΩ	29.000mΩ~300.00mΩ	↓	↑
2	1Ω	290.00mΩ~3.0000Ω	300mΩ ↓	290mΩ ↑
3	10Ω	2.9000Ω~30.000Ω	3Ω ↓	2.9Ω ↑
4	100Ω	29.000Ω~300.00Ω	30Ω ↓	29Ω ↑
5	1kΩ	290.00Ω~3.0000kΩ	300Ω ↓	290Ω ↑

■ **Procedure to set up Range :**

Step 1 Press 【Setup】 key to enter Setup page ;

Step 2 Use cursor keys to select [Range] field ;

Step 3 Use function keys to select range

Function keys	Function
Increase +	Increase range , range is changed to LOCK
Decrease-	Decrease range , range is changed to LOCK

5.1.3 Measuring [Speed]

SCPI command : `FUNCTION:RATE {SLOW,MED,FAST,ULTRA}`

3 measuring speed is available for AT5210, (Slow、 Medium、 Fast). The slower the measuring speed, the more the accuracy, the more stable.

When all channels are turned on, and the range method is manual, the speed is as below :

Slow : 4.5s/10 channels

Medium : 3s/10 channels

Fast : 2s/10 channels

■ Procedure to set up Speed :

Step 1 Press **[Setup]** key to enter Setup page ;

Step 2 Use cursor keys to select [Speed] field ;

Step 3 Use function keys to select speed

Function keys	Function
Slow	4.5s/10 channels
Medium	3s/10 channels
Fast	2s/10 channels

5.1.4 [Scan] Mode

SCPI command : `FUNCTION:SCAN {ON,OFF,<channel NO.>}`

Users can set loop scan or fixed channel measurement, this can be completed in <MEAS DISPLAY> page.

■ Procedure to set up Scan Mode :

Step 1 Press **[Setup]** key to enter Setup page ;

Step 2 Use cursor keys to select [Scan] field ;

Step 3 Use function keys to select

Function keys	Function
Scan	Multichannel loop test
Single	Current channel test
Increase +	Change channel number of single channel test
Decrease-	Change channel number of single channel test

5.2 Short-circuit Clear Zero

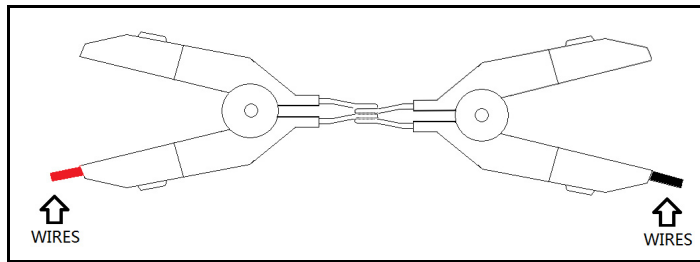
SCPI command : `CORRECT:SHORT`

In order to get high measuring accuracy, it is necessary to do short-circuit clear zero correction to efficiently counteract the stay resistance in test cable.

When replace the test fixture or test cables, please do short –circle clear zero.

How to connect the test clips before executing short-circle clear.

Figure 5-2 Correct method of short-circuit clear zero



- Procedure to perform short-circuit clear zero

- Step 1** Press **【Setup】** to enter Setup page
- Step 2** Short clamp test clip
- Step 3** Use function key to select **【Clear】**
- Step 4** Press **【OK】**, instrument starts to perform clear zero
- Step 5** Return to Setup page after the process is completed

5.3 Comparator Setup

Press **【Setup】** key, then press **【Comp Setup】** to enter < Comp Setup > page

All channels can be set upper limit and lower limit by comparator.

To take full advantage of comparator, instrument adopts built-in Handler interface.

In <Comp> page, users can set:

- **【Comp】** switch
- Compare **【Mode】** setup
- **【Output】** signal setup
- Input data of **【upper limit】**, **【lower limit】** for each bin

Figure 5-3 <Comp Setup> Page

R-COMPARATOR		COMP	OFF	MEAS DISPLAY
MODE	INDEPENDENT	OUTPUT	ROK:VOK	
CHANNEL	LOWER		UPPER	SETUP
01	0.0000 mΩ		0.0000 mΩ	
02	0.0000 mΩ		0.0000 mΩ	
03	0.0000 mΩ		0.0000 mΩ	
04	0.0000 mΩ		0.0000 mΩ	
05	0.0000 mΩ		0.0000 mΩ	
06	0.0000 mΩ		0.0000 mΩ	
07	0.0000 mΩ		0.0000 mΩ	
08	0.0000 mΩ		0.0000 mΩ	
09	0.0000 mΩ		0.0000 mΩ	
10	0.0000 mΩ		0.0000 mΩ	
To Set up Comparator				
DC-V		KEY LOCK		13:12

5.3.1 【Comp】 switch

SCPI command : COMPArator[:STATe] {ON,OFF,1,0}

■ Procedure to turn on/off comparator

Step 1 Press 【Meas】 or 【Setup】 to enter correspond page

Step 2 Press 【Comp Setup】 key

Step 3 Use cursor keys to select 【Comp】 field

Step 4 Use function keys to select

Function keys	Function
OFF	Comparator is turned off
ON	Comparator is turned on

5.3.2 Compare 【Mode】

SCPI command : COMPArator:MODE {IDENTical,INDEpendent}

2 methods is available for instrument comparator :

- Identical setting
- Independent setting

Identical setting: comparator upper limit and lower limit for all channels utilize the setting of CH1

Independent setting: comparator of each channel has independent setting

■ Procedure to set up compare mode

Step 1 Enter <Comp Setup> page

Step 2 Use cursor keys to select 【Mode】 field

Step 3 Use function keys to select

Function keys	Function
Identical	
Independent	

5.3.3 Signal 【Output】

SCPI command : COMPArator:OUPtut {R+V,R+RV}

2 signal output modes are available for instrument comparator :

- ROK : VOK
- ROK : RVOK

ROK : VOK mode : Handler will output R GD signal and V GD signal of each channel

ROK : RVOK mode : Handler will output R GD signal and RV full GD signal of each channel

■ Procedure to set up signal output method

Step 1 Enter <Comp Setup> page

Step 2 Use cursor keys to select 【Output】 field

Step 3 Use function keys to select

Function keys	Function
ROK:VOK	
ROK:RVOK	

5.3.4 【Lower limit】 and 【Upper limit】 setup

Command format : COMParator:rbin <channel NO.1~10>,<resistance lower limit>,<resistance upper limit>

Command format : COMParator:vbin < channel NO 1~10>,< voltage lower limit>,< voltage upper limit>

■ Input direct reading limit value

- Step 1** Enter < Comp> page
- Step 2** Use cursor keys to select 【1】 【Lower limit】 field ;
- Step 3** Input data
Comparator utilize direct reading value to compare, users need to use function keys to select unit.
- Step 4** Use cursor keys to select 【1】 【Upper limit】 field ;
- Step 5** Input data
- Step 6** Repeat step 2~5 to complete data input of other bin.

6. <SYSTEM CONFIG> Page

This chapter describes:

- SYSTEM CONFIG
- SYSTEM INFORMATION
- SYSTEM SERVICE

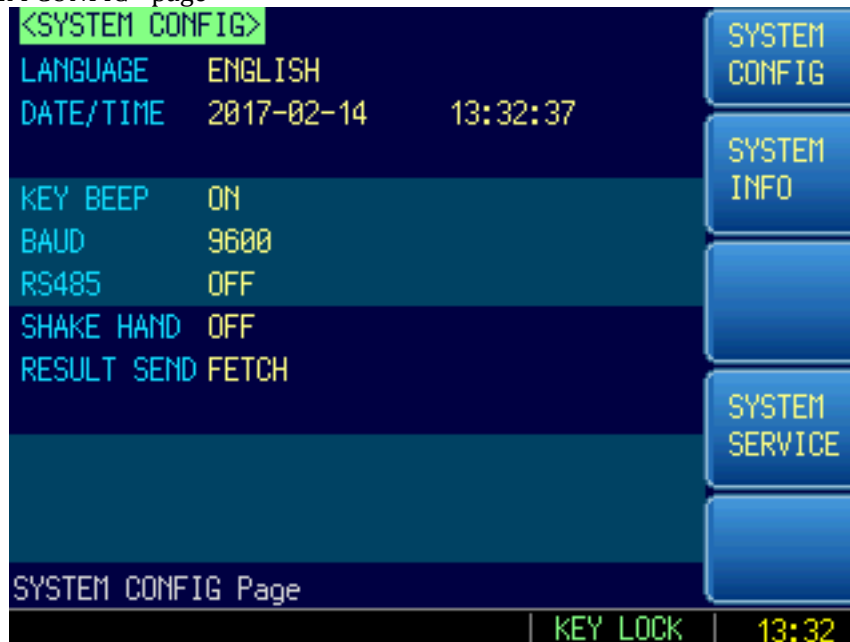
6.1 <SYSTEM CONFIG> Page

Press [SYSTEM] soft-key to enter <SYSTEM CONFIG> page.

- LANGUAGE – Choose English or Chinese Language
- DATE/TIME
- ACCOUNT
- BEEP Feature
- BAUD – RS232/RS485 Communication Baud Rate
- SHAKE HAND

All settings in <SYSTEM CONFIG> will be saved into internal flash disk automatically

Figure 6-1 <SYSTEM CONFIG> page



6.1.1 [LANGUAGE]

SCPI command : `SYSTEM:LANGUage {ENGLISH,CHINESE,EN,CN}`

English and Chinese language are available

■ Procedure to change language:

Step 1 Press bottom soft-key [SYSTEM] to enter <SYSTEM CONFIG>

Step 2 Use cursor keys to select [Language] field

Step 3 Use function keys to select

Function keys	Function
中文[CHN]	CHINESE
ENGLISH	ENGLISH

6.1.2 [DATE], [TIME]

The instrument uses a 24-hour time.

Procedure to set up date:

Step 1	Press bottom soft key [SYSTEM] to enter <SYSTEM CONFIG> page												
Step 2	Use cursor keys to select [DATE] field												
Step 3	Use function keys to set up date												
	<table border="1"> <thead> <tr> <th>Function keys</th> <th>Function</th> </tr> </thead> <tbody> <tr> <td>YEAR INCR+</td> <td>+1 YEAR</td> </tr> <tr> <td>YEAR DECR-</td> <td>-1 YEAR</td> </tr> <tr> <td>MONTH INCR+</td> <td>+1 MONTH</td> </tr> <tr> <td>DAY+</td> <td>+1 DAY</td> </tr> <tr> <td>DAY-</td> <td>-1 DAY</td> </tr> </tbody> </table>	Function keys	Function	YEAR INCR+	+1 YEAR	YEAR DECR-	-1 YEAR	MONTH INCR+	+1 MONTH	DAY+	+1 DAY	DAY-	-1 DAY
Function keys	Function												
YEAR INCR+	+1 YEAR												
YEAR DECR-	-1 YEAR												
MONTH INCR+	+1 MONTH												
DAY+	+1 DAY												
DAY-	-1 DAY												

Procedure to set up time:

Step 1	Press bottom soft key [SYSTEM] to enter <SYSTEM CONFIG> page														
Step 2	Use cursor keys to select [TIME] field														
Step 3	Use function keys to set up time														
	<table border="1"> <thead> <tr> <th>Function keys</th> <th>Function</th> </tr> </thead> <tbody> <tr> <td>HOUR INCR+</td> <td>+1 HOUR</td> </tr> <tr> <td>HOUR DECR-</td> <td>-1 HOUR</td> </tr> <tr> <td>MINUTE DECR+</td> <td>+1 MINUTE</td> </tr> <tr> <td>MINUTE DECR-</td> <td>-1 MINUTE</td> </tr> <tr> <td>SECOND INCR+</td> <td>+1 SECOND</td> </tr> <tr> <td>SECOND DECR-</td> <td>-1 SECOND</td> </tr> </tbody> </table>	Function keys	Function	HOUR INCR+	+1 HOUR	HOUR DECR-	-1 HOUR	MINUTE DECR+	+1 MINUTE	MINUTE DECR-	-1 MINUTE	SECOND INCR+	+1 SECOND	SECOND DECR-	-1 SECOND
Function keys	Function														
HOUR INCR+	+1 HOUR														
HOUR DECR-	-1 HOUR														
MINUTE DECR+	+1 MINUTE														
MINUTE DECR-	-1 MINUTE														
SECOND INCR+	+1 SECOND														
SECOND DECR-	-1 SECOND														

6.1.3 [KEY BEEP] Setting

KEY BEEP can be set as GD bee, NG beep and OFF.

■ Procedure to set up the beep:

Step 1 Press bottom soft-key [SYSTEM] to enter <SYSTEM CONFIG> page

Step 2 Use cursor keys to select [BEEP] field

Step 3 Use function keys to select :

Function keys	Function
OFF	Key beeper is set to OFF
ON	Key beep is set to ON.

6.1.4 [BAUD] Rate Setup

Before you can control the AT5210 by issuing RS-232 commands from built-in RS-232 controller connected via its DB-9 connector, you have to configure the RS-232 baud rate.

The AT5210 built-in RS-232 interface uses the SCPI language.

The configuration of RS-232

The keypad will be locked when the commutation established.
Use SCPI language in Mini-USB programming.

RS-232 configuration is as follows:

- Data bits: 8
- Stop bits: 1
- Parity: none
- Baud rate: configurable

Procedure to set baud rate:

- Step 1** Press bottom soft-key [SYSTEM] to enter <SYSTEM CONFIG> page
- Step 2** Use cursor keys to select [BAUD] field
- Step 3** Use function keys to select :

Function keys	Function
1200	For communication converter with opt coupler isolation
9600	Communicate with PLC or touch panel, recommend to use this baud rate
38400	Communicate with PLC or touch panel, can use this baud rate
57600	Can use this baud rate when communication with PC
115200	Best for communication with PC

6.1.5 RS-232 Shake Hand [SHAKE HAND]

AT5210 supports software “shake hand”. AT5210 will return the whole command to host and then response the command when the [SHAKE HAND] is turned

Procedure to turn ON the “Shake Hand”:

- Step 1** Press bottom soft-key [SYSTEM] to enter <SYSTEM CONFIG> page
- Step 2** Use cursor keys to select [SHAKE HAND] field
- Step 3** Use function keys to select :

Function keys	Function
OFF	SHAKE HAND in invalid, no special requirement, please turn off SHAKE HAND.
ON	

6.2 <SYSTEM INFORMATION>

Press [Meas] or [Setup] to enter main page, press bottom [SYSTEM] soft-key to enter <SYSTEM CONFIGURATION>page , then press [SYSTEM INFORMATION] .

There is no configurable option in the <SYSTEM INFO> page.

Figure 6-2 <SYSTEM INFORMATION>page



7. PLC (Handler) Interface

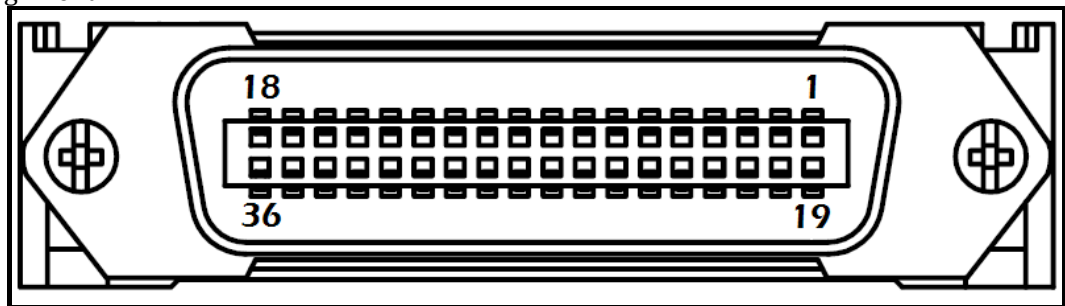
This chapter describes how to use the handler interface.

- Pin Assignment
- Connection and Circuit Diagram

By using the handler interface, you can output the measurement completion signal (EOC), the screening result of the comparator function (GD/NG), and so on to external devices from the AT5210. You can also input the external trigger signal and the comparator select signal to the AT5210. With this interface and the comparator function, you can build an automatic screening system composed of the AT5210 and the handler.

7.1 Pin Assignment

Figure 7-1 Pin assignment



- Output signals (all signals are low level valid)

Table 7-1 Input terminal pin definition

Pin	Name	Description
1	CH8-R	0 : R-OK
2	CH9-R	0 : R-OK
3	CH10-R	0 : R-OK
5	NG	All channels are NG output 1 : OK, 0 : NG
7	EOC	0 : in measuring , 1 : measuring completed
19	CH7-R	0 : R-OK
20	CH6-R	0 : R-OK
21	CH5-R	0 : R-OK
22	CH4-R	0 : R-OK
23	CH3-R	0 : R-OK
24	CH2-R	0 : R-OK
25	CH1-R	0 : R-OK
8	CH1-V/RV	0 : V-OK or RV-OK

	<Remark>	
9	CH2-V/RV	0 : V-OK or RV-OK
10	CH3-V/RV	0 : V-OK or RV-OK
11	CH4-V/RV	0 : V-OK or RV-OK
12	CH5-V/RV	0 : V-OK or RV-OK
13	CH6-V/RV	0 : V-OK or RV-OK
14	CH7-V/RV	0 : V-OK or RV-OK
15	CH8-V/RV	0 : V-OK or RV-OK
16	CH9-V/RV	0 : V-OK or RV-OK
17	CH10-V/RV	0 : V-OK or RV-OK

<Remark> : P8~P17 V/RV is configurable pin , configure as V-OK or RV-OK (R+V all GD) format , please refer to Comparator chapter.

■ Input terminal

Table 7-2 Input terminal pin definition

Pin	Name	Description
18	trigger input	Trigger input terminal, built-in 0.25W, 499Ω current-limiting resistance.

■ VCC

Table 7-3 VCC pin definition

Pin	Name	Description
27-30	GND	External power source input GND
33-34	External VCC	External power source input plus terminal
35-36	Internal VCC	Internal VCC power plus terminal (5V,1A)

7.2 Connection

■ Use external power source (recommended)

Please use external power source to connect to the pins as below:

VCC : pin 33-34

GND : pin 27-30

Internal power source 35-36 : float

■ Use internal power source

Under condition of unknown or uncertain power, don't use internal power source, otherwise, the instrument will not be able to work.

Under condition of small power, uses can use internal power source, but it will make instrument's antijamming capability become weak.

Internal power source : 5V MAX 1A.

Use internal power source , and connect to the pins as below:



VCC (5V) : 34-35
 GND: 27-30

■ **Electrical Characteristics**

Power requirements : +3.3V~35VDC

Output signals : collector output of built-in pull-up resistor. Darlington drive, low level is valid.

MAX voltage : supply voltage

Input signals : opto-isolator. low level is valid.

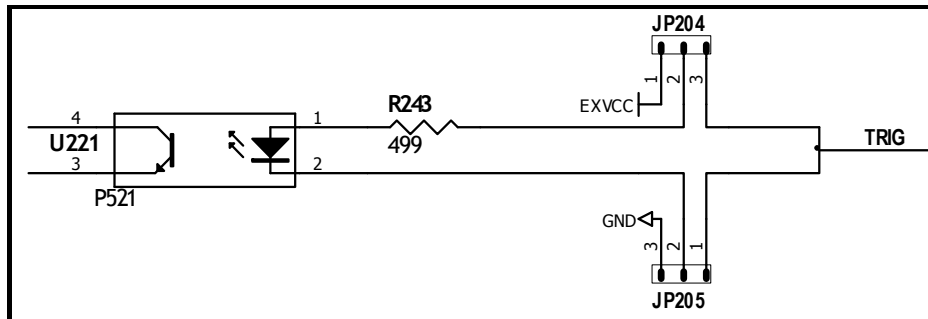
MAX current : 50mA



Tip : To avoid the damage to interface, supply voltage can not exceed power requirement. To avoid damage to interface, please connect cable after instrument is powered off. Output signal can control signal and small pwer relay (instrument internal has integrated reverse energy release diode) . Don't use internal power source for large power relay.

■ **Input terminal schematic diagram**

Figure 7-2 Input terminal schematic diagram (Trig)

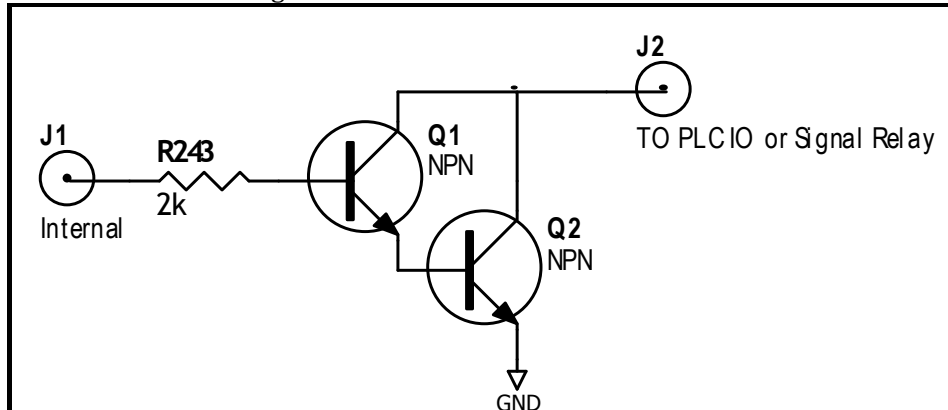


In above figure : JP204 and JP205 is factory configuration 1-2 short circuit, trigger signal is rising edge trigger.

If trigger signal is falling edge trigger, please short circuit 2-3 for JP204 and JP205, external VCC floats.

■ **Output terminal schematic diagram**

Figure 7-3 Output terminal schematic diagram



8. Remote Control

This chapter provides the following information to remotely control the AT5210 via the RS-232C or USB interface.

- About RS-232C
- About RS-232C connection
- Select Baud Rate.
- About SCPI

AT5210 can use the RS-232 interface to communicate with the computer to complete all the instrument functions.

8.1 RS-232C

RS-232 is currently widely used serial communications standard, is also called asynchronous serial communications standard, it is applied to realize communication of PC and PC、PC and peripheral. RS is the English abbreviation for “Recommended Standard” (recommended standard), 232 is standard number, this standard is officially announced by EIA in 1969.

Most configuration of serial port is not based on RS-232 standard: each port use 25-core or 9-core connector (now all PC use 9-core connector). The most common RS-232 signal is as below:

Table 8-1 RS-232 Standard minimum subset

Signal	Mark	9-core connector Pin No
Transmit Data	TXD	2
Receive Data	RXD	3
Ground	GND	5

8.1.1 RS232C Connection

RS-232 serial interface can be connected to serial interface of controller (such as PC or PLC) by DB-9 cable.



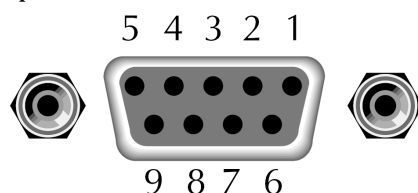
Tip: instrument cannot use null modem cable.

Users can make it or buy 9-core cable from Applent Instruments.

If users make 3-core cable, should pay attention to:

If using PC' s built-in DB9 port, probably users need to short circuit 4-6、7-8 on PC port' s DB-9 connector (pin).

Figure 8-1 Connector at rear panel





Tip: In order to avoid electrical shock, please disconnect power when insert and pull the connector.

■ Instrument' s default communications setting:

Transmission mode: includes full duplex asynchronous communication of start bits and stop bits

Data bits: 8-bit

Stop bits: 1-bit

Parity bits: None

8.2 Handshake Protocol

Instrument adopts RS-232C standard minimum subset, and software handshake to reduce phenomenon of possible data loss or data error during communication.

Instrument can start using software handshake, high-level language software engineer should strictly do it according to the following handshake protocol to program communication software:

- Instrument terminator only accepts ASCII format, command response also returns ASCII code.
- **Command string that sent by host must be ended with NL ('\n') mark, instrument terminator will begin performing command string only after it receives end mark.**
- Instrument can set command handshake: instrument will return an identification code after it receives command and finishes processing.

8.3 SCPI Language

SCPI-Standard Commands for Programmable Instruments is a common command that Applent adopts and it is used to test instrument. SCPI is also called TMSL-Test and Measurement System Language, which is developed by Agilent Technologies according to IEEE488.2, so far it is widely used by equipment manufacturers.

Reference :



Instrument built-in terminator is responsible for parsing user's various command formats. Because terminator is on the basis of SCPI protocol, but it is not fully consistent with SCPI, please read "SCPI command" chapter before using instrument.

9. SCPI Command Reference

This chapter includes the following content:

- Terminator
 - Command Syntax
 - Query Syntax
 - Query Response
 - Command Reference
-

This chapter provides descriptions of instrument's available SCPI commands sets, which can complete all the instrument functions.

9.1 Terminator

Host can send a string of command to instrument, instrument terminator will begin parsing after it captures end mark (\n) or after input buffer overflows.

For example: Legal command string:
AAA:BBB CCC,DDD,EEE

Instrument terminator is responsible for parsing and performing all commands, before programming, users must know about parsing rules.

9.1.1 Terminator Rules

- 1 . Terminator only parses and responds ASCII code's data.
- 2 . **Command string must be ended with NL ('`\n`' ASCII 0x0A) mark, terminator will begin performing command string only after it receives end mark or after buffer overflows.**
- 3 . If command handshake is turned on, every time terminator receives one string, it will promptly return this string to the host, only when host receives this returned string, can it continues sending the next string.
- 4 . After terminator parses error, it will promptly stop parsing, and the current command is canceled.
- 5 . When terminator parses the query command, it will terminate parsing this command string, the latter command string will be ignored.
- 6 . When parsing command string, terminator is case insensitive.
- 7 . Terminator supports command abbreviated form, please refer to the latter chapter regarding abbreviation norms.

9.1.2 Notation Conventions and Definitions

This chapter employs some marks, these marks are not a part of command tree; they are only for better understanding of command string.

<>	the character in <> means this command's parameter
[]	the character in [] means optional command
{}	When there includes several parameter items in {}, means that users can only choose one item from it.
()	the abbreviated form of parameter is put in ()
Capital letter	Abbreviated form of command.

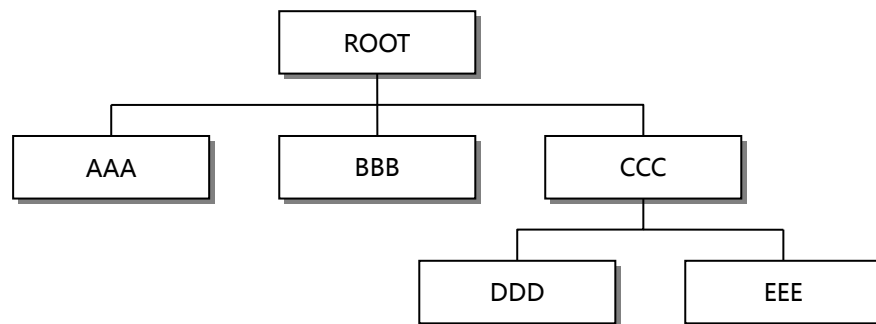
9.1.3 Command Structure

The SCPI commands are tree structured three levels deep. The highest level commands are called the subsystem commands in this manual. So the lower level commands are legal only when the subsystem commands have been selected.

A colon (:) is used to separate the higher level commands and the lower level commands.

Semicolon (;) A semicolon does not change the current path but separates two commands in the same message.

Figure 9-1 Command Tree Example



Example

```

ROOT:CCC:DDD ppp
  ROOT  Subsystem Command
    CCC  Level 2
      DDD  Level 3
        ppp  Parameter
  
```

9.2 Header and Parameters

A command tree consists of header and parameters, it uses a space (ASCII: 20H) to separate in the middle.

Example

```

AAA:BBB 1.234
Header [Parameter]
  
```

9.2.1 Header

Headers can be of the long form or the short form. The long form allows easier understanding of the program code and the short form allows more efficient use of the computer.

9.2.2 Parameter

- Single command word, no parameter.
Example: AAA:BBB
- Parameter can be character string form, the abbreviation rules are the same as the rules for command.

Example: AAA:BBB 1.23

- Parameter can be numeric form

- *<integer>* integer 123, +123, -123
 - *<float>* floating number
1. *<Fixfloat>* : fixed point floating number : 1.23, -1.23
 2. *<Scifloat>* : scientific notation floating number : 1.23E+4, +1.23e-4
 3. *<Mpfloat>*: multiplier expressed by floating number: 1.23k, 1.23M,1.23G,1.23u

Table 9-1 Multiplier Mnemonics

Definition	Mnemonic
1E18 (EXA)	EX
1E15 (PETA)	PE
1E12 (TERA)	T
1E9 (GIGA)	G
1E6 (MEGA)	MA
1E3 (KILO)	K
1E-3 (MILLI)	M
1E-6 (MICRO)	U
1E-9 (NANO)	N
1E-12 (PICO)	P
1E-15 (PEMTO)	F
1E-18 (ATTO)	A

Tip: Multiplier is Case Insensitive, its writing style is different from standard name.

9.2.3 Separator

Instrument terminator only accepts allowed separators, terminator will occur E5 error if beyond this separator, and these separators include:

- : colon, used for separate command tree, or restart command tree.
Example: AAA[.]BBB[.]CCC 123.4
- ? question mark, used for query
Example: AAA[?]
- space, used for separate parameter
Example: AAA:BBB□1.234

9.3 Command Reference

All commands in this reference are fully explained and listed in the following functional command order, the following is all subsystem

- DISPLAY Display SUBSYSTEM
- FUNCTION Function SUBSYSTEM
- CORREction Correction SUBSYSTEM
- COMParator Comparator SUBSYSTEM
- SYSTem System SUBSYSTEM
- TRIGger Trigger SUBSYSTEM
- FETCh? Fetch SUBSYSTEM
- ERRor Error SUBSYSTEM

Common command :

- IDN? Instrument information query SUBSYSTEM
- TRG Trigger and acquire data

9.4 DISPLAY SUBSYSTEM

DISPlay subsystem is used for switching different display page or display a string of text on page reminder bar.

Figure 9-2 DISPlay SUBSYSTEM tree

DISPlay	:PAGE	{MEASurement, SETUp,COMParator,SYSTem,SYSTEMINFO(SINF)}
	:LINE	<string>

9.4.1 DISPLAY:PAGE

DISP:PAGE is used for switching to an appointed page.

Command Syntax	DISPlay:PAGE <page name>
Parameter	<page name> includes : MEASurement <MEAS DISPLAY> page SETUp <SETUP> page COMParator <COMP> page SYSTem <SYSTEM CONFIG> page SYSTEMINFO (SINF) <SYSTEM INFO> page
Example	SEND> disp:page setup //switch to Setup page
Query Syntax	DISP:PAGE?
Query	<page name> abbreviation
Response	meas setu syst sinf comp
Example	SEND> disp:page? RET> meas

9.4.2 DISP:LINE

DISP:LINE Is used for display a string of text at the bottom of reminder bar page, text can display maximum 30 characters.

Command Syntax	DISPlay:LINE <string>
Parameter	<string> maximum 30 characters.
Example	SEND> DISP:LINE "This is a Comment."

9.5 FUNCTION SUBSYSTEM

Figure 9-3 FUNCTION SUBSYSTEM tree

FUNCTION	:RANGe	{Range NO. , max , min}
		:MODE {AUTO,HOLD,NOMinal}
	:RATE {SLOW,MED,FAST,ULTRA}	
	:SCAN {<Channel NO.>,on,off}	

Parameter set by FUNCtion SUBSYSTEM will not be saved in the instrument system, users need to reset when restart.

9.5.1 FUNCTION:RANGe

FUNC:RANG is used for set up range mode and range NO.

Command Syntax	FUNCtion:RANGe {<Range No.>,min,max}
Parameter	Of which , <Range NO.> include 1~5

	min range=1 max range=5
Example	SEND> FUNC:RANG 5 //switch to Range NO. 5 (1kΩ)
Query Syntax	FUNC:RANG?
Query Response	Range NO.1~5
Example	SEND> FUNC:RANGE? RET> 5

9.5.2 FUNCtion:RATE

FUNC:RATE is used for setting measuring speed.

Command Syntax	FUNCtion:RATE {SLOW,MED,FAST }
Example	SEND> FUNC:RATE FAST //set as fast measuring speed
Query Syntax	FUNC:RATE?
Query Response	{SLOW,MED,FAST}

9.5.3 FUNCtion:SCAN

FUNC:SCAN is used for setting channel scan mode and single channel test channel NO.

Command Syntax	FUNCtion:SCAN {ON,OFF,<channel NO.>}
Example	SEND> FUNC:SCAN ON //turn on scan mode SEND> FUNC:SCAN 5 //single channel test, CH5
Query Syntax	FUNC:SCAN?
Query Response	<channel NO.>,{SCAN,SINGLE}
Example	SEND> FUNC:SCAN? RES> 5,SINGLE //single channel test, CH5

9.6 COMParator SUBSYSTEM

Comparator parameter set by COMParator SUBSYSTEM will be saved in system.

COMP SUBSYSTEM is used for setting comparator parameter.

Figure 9-4 COMParator SUBSYSTEM tree

COMParator	[:STATe]	{OFF,ON,0,1}
	:BEEP	{OFF,GD,NG}
	:MODE	{IDENTical, INDEpendent}
	:OUTPut	{R+V,R+RV}
	:RBIN	<channel NO.1~10> , <float lower>,<float upper>
	:VBIN	

9.6.1 COMParator[:STATe]

COMP[:STATe] is used for turning on/off comparator.

Command Syntax	COMParator[:STATe] {ON,OFF,1,0}
Example	SEND> COMP:STAT ON //turn on comparator SEND> COMP:STAT 0 //turn off comparator
Query Syntax	COMP[:STAT]?
Query Response	{ON,OFF}

9.6.2 COMParator:MODE

COMP:MODE is used for setting comparator mode.

Command Syntax	COMPArator:MODE {IDENTical,INDEpendent}
Example	SEND> COMP:MODE identical //uniform setting mode of comparator upper limit and lower limit
Query Syntax	COMP:MODE?
Query Response	{identical, independent }

9.6.3 COMPArator:OUTPut

COMP:OUTPut is used for setting Handler signal output mode.

Command Syntax	COMPArator:OUTPut {R+V,R+RV}
Example	SEND> COMP:OUTP R+RV //Handler output is ROK and RVOK
Query Syntax	COMP:OUTP?
Query Response	r+rv

9.6.4 COMPArator:RBIN

COMP:RBIN is used for setting resistance upper limit and lower limit for a specified channel.

Command Syntax	COMPArator:RBIN <channel NO.1~10>,<float lower limit>,<float upper limit>
Example	SEND> COMP:RBIN 1,10m,100m //set up resistance upper limit and lower limit for CH1
Query Syntax	COMP:vbin? <channel NO.1~10>
Query Response	<scifloat>,<scifloat>
Example	SEND> COMP:RBIN? 1 RET> +1.000000e-04,+1.000000e-05

9.6.5 COMPArator:VBIN

COMP:VBIN is used for setting voltage upper limit and lower limit for a specified channel.

Command Syntax	COMPArator:VBIN <channel NO.1~10>,<float lower limit>,<float upper limit>
Example	SEND> COMP:VBIN 1,10m,100m // set up voltage upper limit and lower limit for CH1
Query Syntax	COMP:vbin? <channel NO.1~10>
Query Response	<scifloat>,<scifloat>
Example	SEND> COMP:VBIN? 1 RET> +3.500000e+00,+3.700000e+00

9.7 TRIGger SUBSYSTEM

Figure 9-5 TRIGger SUBSYSTEM tree

TRIGger	[:IMMEdiate]	
	:SOURce	{INT,MAN,EXT,BUS}
TRG		

TRIGger is used for setting trigger source and generate a trigger.

9.7.1 TRIGger[:IMMEdiate]

TRIG[:IMM] when trigger source set as BUS, it generates a trigger, but it will not return trigger measuring data, if usres want return data, use TRG command.

Command Syntax	TRIGger [IMMEdiate]
Example	SEND> TRIG //Stops after instrument test one time

9.7.2 TRIGger:SOURce

TRIG:SOUR is used for setting trigger source

Command Syntax	TRIGger:SOURce {INT,MAN,EXT,BUS}
Example	SEND> TRIG:SOUR BUS //Set as BUS trigger mode.
Query Syntax	TRIG:SOUR?
Query Response	<INT,MAN,EXT,BUS>

9.7.3 TRG

TRG when trigger source set as BUS, it generates a trigger and return trigger measuring data.

Command Syntax	TRG
Example	SEND> TRG //Instrument tests one time, and return measuring data RET> +9.9651e+01,NG,+9.9481e-01,GD,+9.9575e+00,NG,+9.9481e-01,GD,+6.02 12e-04,NG,+9.9575e+00,NG,+9.9331e-01,GD,+1.0025e+04,NG,+1.0008e+0 3,NG,+1.1139e+04,NG

9.8 FETCh? SUBSYSTEM

FETCh? Is used for acquiring measuring data. Before using this command, please set 【Result Send】 as 【FETCH】 in <SYSTEM CONFIGURATION> page.

FETCh ? command will return measuring data of all channels.

Figure 9-6 FETCh? SUBSYSTEM tree

FETCh?

Query Syntax	FETCh?
Query Response	<R>, {GD,NG}, <V>, {GD,NG}
Example	SEND> FETC? RET> +9.9651e+01,NG,+9.9481e-01,GD,+9.9575e+00,NG,+9.9481e-01,GD,+6.02 12e-04,NG,+9.9575e+00,NG,+9.9331e-01,GD,+1.0025e+04,NG,+1.0008e+0 3,NG,+1.1139e+04,NG

9.9 SYSTem SUBSYSTEM

SYSTem SUBSYSTEM is used for setting parameter related to system.

Data set up by SYSTem SUBSYSTEM will not be saved in instrument.

Figure 9-7 SYSTem SUBSYSTEM tree

SYSTem	:LANGuage	{ENGLISH,CHINESE,EN,CN}
	:SENDmode	{FETCH,AUTO}

9.9.1 SYSTem:LANGuage

Language setting

Command Syntax	SYSTem:LANGuage {ENGLISH,CHINESE,EN,CN}
Example	SEND> SYST:LANG EN //set as English display
Query Syntax	SYST:LANG?
Query Response	{ENGLISH,CHINESE}

9.9.2 SYSTem:SENDmode

SYST:SEND is used for setting data sending mode: AUTO or FETCH command.

Command Syntax	SYSTem:SENDmode { FETCH,AUTO }
Example	SEND> SYST:SEND AUTO //set as AUTO sending
Query Syntax	SYST:SEND?
Query Response	{ FETCH,AUTO }

9.9.3 SYSTem:DATAmode

SYST:DATA is used for setting data sending format: all channel or single channel data.

Command Syntax	SYSTem:DATAmode { ALL,ONE }
Example	SEND> SYST:DATA ONE //set as single channel sending
Query Syntax	SYST:DATA?
Query Response	{ ALL,ONE }

9.10 CORRect SUBSYSTEM

CORR SUBSYSTEM is used for completing one short-circuit correction.

Figure 9-8 CORRect SUBSYSTEM tree

CORRect	:SHORT
---------	--------

9.10.1 CORRect:SHORT

CORR:SHOR complete one short-circuit correction, test terminal must be short-circuit before sending the command..

Command Syntax	CORRect:SHORT
Example	SEND> CORRect:SHORT RET> Short Clear Zero Start. //clear zero starts RET> PASS //clear zero success (FAIL)

9.11 IDN? SUBSYSTEM

Figure 9-9 IDN? SUBSYSTEM tree

IDN?

IDN? SUBSYSTEM is used for returning instrument version number.

Query Syntax	IDN?
Query Response	<model>,<version number>,<serial number>,<manufacturer>
Example	SEND> IDN? RET> AT5210,REV A1.0,0000000,Applent Instruments

10. Specifications

This chapter describes:

- Technical Specifications
 - General Specifications
 - Dimensions
-

10.1 Technical Specifications

The data as below is acquired by the following conditions:

Temperature: 23°C±5°C

Humidity: ≤65% R.H.

Adjustment : short-circuit clear zero before measurement

Warm-up Time: >60 minutes

Calibration validity : 12 months

Channel : CH1

Measuring speed : slow

RANGE		Max Reading	Resolution	FAST	MED	SLOW
1	300mΩ	300.00mΩ	10μΩ	1%±5 dgt	0.5%±3dgt	0.5%±2dgt
2	3Ω	3.0000Ω	100μΩ	1%±5 dgt	0.5%±3dgt	0.5%±2dgt
3	30Ω	30.000Ω	1mΩ	1%±5 dgt	0.5%±3dgt	0.5%±2dgt
4	300Ω	300.00Ω	10mΩ	1%±5 dgt	0.5%±3dgt	0.5%±2dgt
5	3kΩ	3.0000kΩ	100mΩ	1%±5 dgt	0.5%±3dgt	0.5%±2dgt

10.2 General Specifications

Display : TFT-LCD true-color display , 3.5 inches

Measuring speed : All channels are turned on, range mode is manual:

SLOW : 4.5s/10 channels

MED : 3s/10 channels

FAST : 2s/10 channels

Max reading : 30000

Range : Manual

Calibration : short-circuit clear zero for all ranges

File : parameters are AUTO saved

Trigger : Internal、 External、 Manual and BUS

Interface : PLC (Handler) interface

RS232 interface

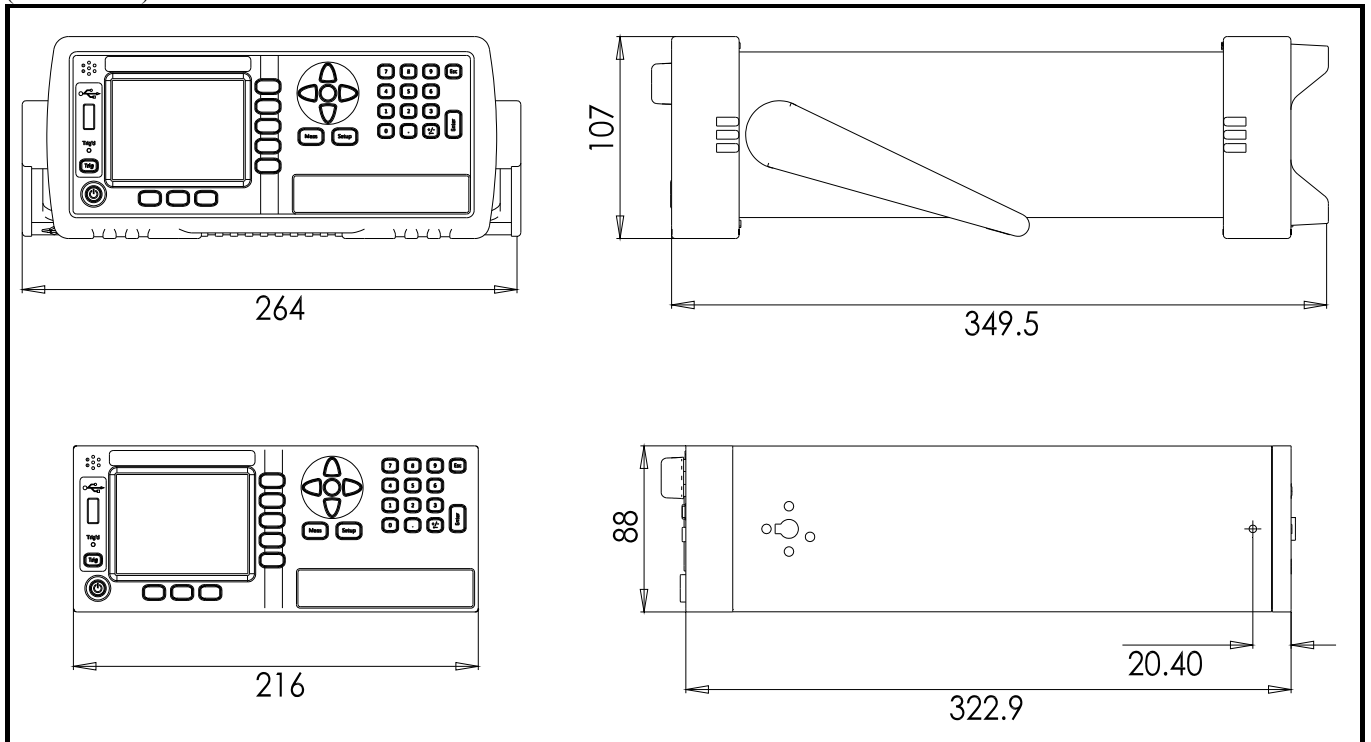
Programming language : SCPI

Auxiliary function : keypad lock

Environment : Index : temperature 18°C~28°C humidity ≤ 65% RH
 Operation : temperature 10°C~40°C humidity 10~80% RH
 Storage : temperature 0°C~50°C humidity 10~90% RH
 Power supply : 220VAC (1±10%)
 Fuse : 250V 1A Slow-Blow
 Power : MAX 20VA
 Weight : About 5kg

10.3 Dimensions

(Dimensions)



-AT5210 User's Guide-
 English
 ©2005-2017 Applent Instruments Ltd.